

## DIN Check Valve



### Product structural features

Check valve seal acc. to DIN is applicable to the cutting and connection of pipelines medium that are used in various industries such as petroleum, chemical industry, pharmacy, chemical fertilizer, electric power industry, etc under nominal pressure of PN1.6~16MPa, and working temperature within -110~600 c

### Main structural features

1. This product has logical structure, reliable seal, excellent performance and nice design.
2. The seal surface is build-up welding with Co hard alloy, which is attrition-resistant, corrosion-resistant, has good friction resistant and long life.
3. The part material, flange and butt weld end dimension may be selected according to current operating condition and users' requirement, so that meeting the requirements of various engineering.

### Technical specification

Structural Formation: BB-BG-OS & Y  
Driving Manner: Hand-Operated  
Driving Manner: Electric-Actuated  
Design Standard: DIN3356  
Face to Face: DIN3202  
Flange Ends: DIN2543-2545  
Test & Inspection: DIN3230

Notes: The size of serial, valve connecting flange can be design according to customers' requirement

API SERIES

DIN SERIES

JIS SERIES

Products performance specification

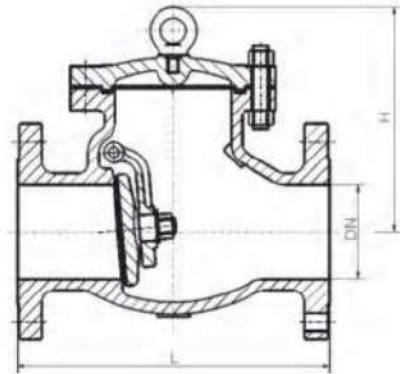
Nominal Pressure (MPa)	Shell Test (MPa)	Sealing Test (MPa)	Suitable Temp (°C)	Suitable Medium
1.6	2.4	1.76	-110~600°C	Water Oil & Gas
2.5	3.75	2.75		
4.0	6.0	4.4		
6.4	9.6	7.04		

# DIN Swing Check Valve TSC-100D

## Technical specification

- ⊙ Structural Formation: BB-BG-OS & Y
- ⊙ Driving Manner: Wc-Co Hand-Operated
- ⊙ Driving Manner: Electric-Actuated
- ⊙ Design Standard: DIN3356
- ⊙ Face to Face: DIN3202
- ⊙ Flange Ends: DIN2543-2547
- ⊙ Test & Inspection: DIN3230

⊙ Notes: The size of serial, valve connecting flange can be design according to customers' requirement.



API SERIES

DIN SERIES

JIS SERIES

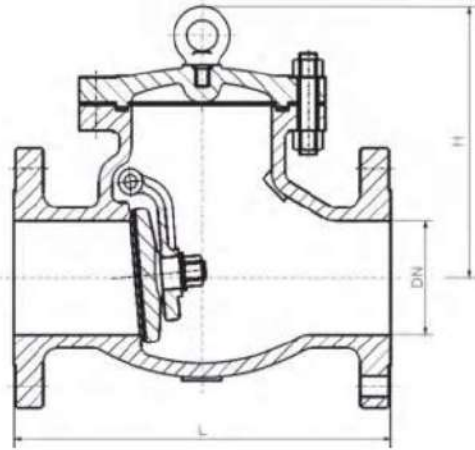
### Main part material of Cast steel

<b>Body</b>	GS-C25							
<b>Cover</b>	GS-C25			1.4308		1.4408		
<b>Disc Sealing Face</b>	13Cr	13Cr	STL	1.4308	STL	1.4408	STL	
<b>Seat Ring Sealing Face</b>	13Cr	STL	STL	1.4308	STL	1.4408	STL	

### Main part material of Stainless steel

<b>Body</b>	1.4308		1.4408		1.4306			1.4301				
<b>Cover</b>	1.4308		1.4408		1.4306			1.4301				
<b>Wedge Disc Sealing Face</b>	1.4308	1.4308	STL	1.4408	1.4408	STL	1.4306	1.4306	STL	1.4301	1.4301	STL
<b>Seat Ring Sealing Face</b>	1.4308	STL	STL	1.4408	STL	STL	1.4306	STL	STL	1.4301	STL	STL

Subject to change without prior notice



Size main dimensions of Swing Check Valve

Pressure(MPa)		PN1.6MPa										
Size	mm	50	65	80	100	125	150	200	250	300	350	400
L		230	290	310	350	400	480	550	650	750	850	950
H		305	354	402	437	496	541	699	815	914	1189	1350
Weight(kg)		21	28	38	58	92	130	210	295	365	410	460
Pressure(MPa)		PN2.5MPa										
Size	mm	50	65	80	100	125	150	200	250	300	350	400
L		230	290	310	350	400	480	550	650	750	850	950
H		325	363	415	453	505	556	744	864	948	1269	1450
Weight(kg)		22	29	38	61	96	132	213	297	375	415	480
Pressure(MPa)		PN4.0MPa										
Size	mm	50	65	80	100	125	150	200	250	300	350	400
L		230	290	310	350	400	480	550	650	750	850	950
H		325	370	430	480	532	589	783	888	965	1285	1512
Weight(kg)		22	31	41.5	65	100	136	220	305	400	450	510
Pressure(MPa)		PN6.4MPa										
Size	mm	50	65	80	100	125	150	200	250	300	350	400
L		300	340	380	430	500	550	650	775	900	1025	1150
H		305	354	402	437	496	541	699	815	914	1189	1350
Weight(kg)		27	37	57	87	135	184	266	396	643	815	1230
Pressure(MPa)		PN10.0MPa										
Size	mm	50	65	80	100	125	150	200	250	300	350	400
L		300	340	380	430	500	550	650	775	900	1025	1150
H		325	363	415	453	505	556	744	864	948	1269	1450
Weight(kg)		30	40	60	92	140	195	280	406	670	850	1260

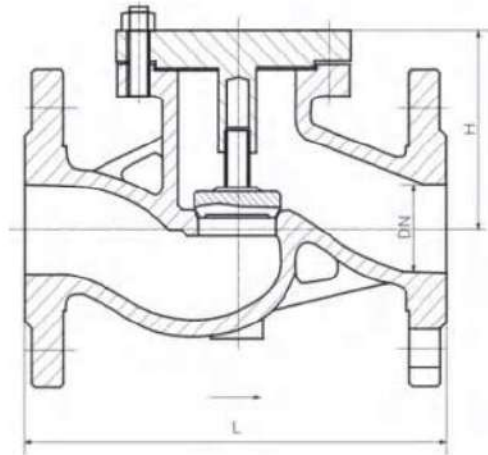
API SERIES

DIN SERIES

JIS SERIES

# DIN Lift Check Valve TLC-40D

API SERIES



DIN SERIES

Size main dimensions of Lift Check Valve

Pressure (MPa)		PN1.6MPa										
Size	mm	50	65	80	100	125	150	200	250	300	350	400
L		230	290	310	350	400	480	600	650	750	850	950
H		305	354	402	437	496	541	699	815	914	1189	1350
Weight(kg)		10	20	30	39	50	70	161	251	395	500	618

JIS SERIES

Pressure (MPa)		PN2.5MPa										
Size	mm	50	65	80	100	125	150	200	250	300	350	400
L		230	290	310	350	400	480	600	650	750	850	950
H		325	363	415	453	505	556	744	864	948	1269	1450
Weight(kg)		12	22	33	44	55	78	180	270	410	520	650

Pressure (MPa)		PN4.0MPa										
Size	mm	50	65	80	100	125	150	200	250	300	350	400
L		230	290	310	350	400	480	600	650	750	850	950
H		325	370	430	480	532	589	783	888	965	1285	1512
Weight(kg)		13	23	34	46	60	85	190	280	430	550	680

Subject to change without prior notice